



TRACK₃ Three Circuit Track

Flexible Track System with up to 3 Circuits with a single neutral connection. Track can be surface or suspended and easily field cut for custom length applications.

DETAILS

Input Voltage: 120v or 277v 50-60Hz
Finish: White (RAL9010), Black (RAL9011), Silver (RAL7040)
Lengths: 4ft, 8ft
Warranty: 5 Years
Weight: 4ft (1.85lbs), 8ft (3.70lbs)

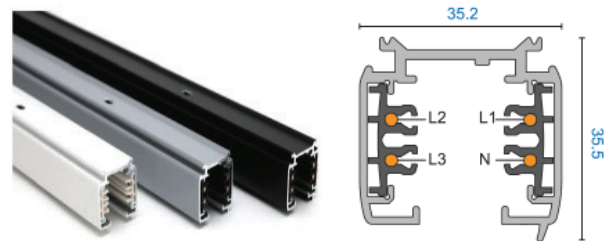
MECHANICAL LOADING



SURFACE AND SUSPENDED

Ordering Information:

T3	LENGTH : 4FT 8FT
	FINISH : WHITE (WH) BLACK (BK) SILVER (SL)

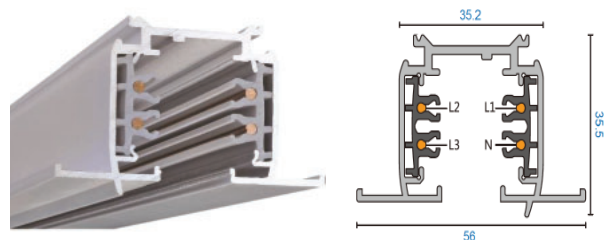


Measurements in Millimeters. To Convert to Inches Divide by 25.4

RECESSED

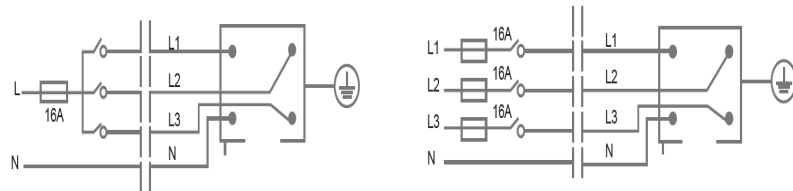
Ordering Information:

T3R	LENGTH : 4FT 8FT
	FINISH : WHITE (WH) BLACK (BK) SILVER (SL)

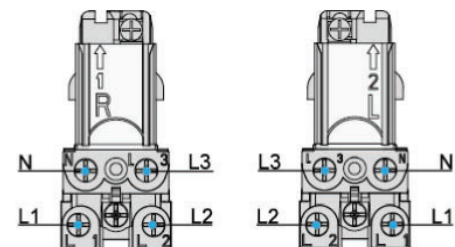


Measurements in Millimeters. To Convert to Inches Divide by 25.4

ELECTRICAL CONNECTION



Various accessories available (refer to following pages). Check polarity carefully when installing.






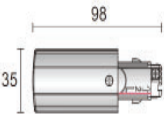

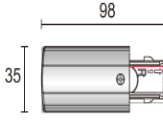

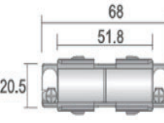

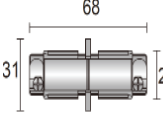

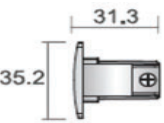

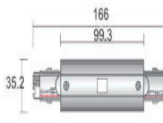

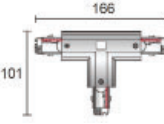

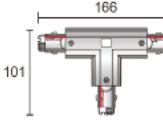

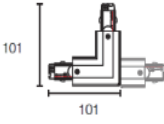

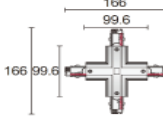

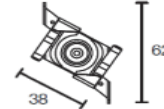

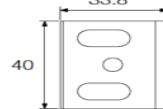
TRACK₃ Three Circuit Track

AlchemieLighting

ACCESSORIES FOR SURFACE, SUSPENDED AND RECESSED

Confirm conductor polarity during installation for all components.

Ordering Information:

		T3-PF-LEFT	WHITE (WH) BLACK (BK) SILVER (SL)			T3-PF-RIGHT	WHITE (WH) BLACK (BK) SILVER (SL)
		T3-CONN-ELEC	WHITE (WH) BLACK (BK) SILVER (SL)			T3-CONN-MECH	WHITE (WH) BLACK (BK) SILVER (SL)
		T3-ENDCAP	WHITE (WH) BLACK (BK) SILVER (SL)			T3-INLINE	WHITE (WH) BLACK (BK) SILVER (SL)
		T3-T-LEFT	WHITE (WH) BLACK (BK) SILVER (SL)			T3-T-RIGHT	WHITE (WH) BLACK (BK) SILVER (SL)
		T3-L-TWIST	WHITE (WH) BLACK (BK) SILVER (SL)			T3-X	WHITE (WH) BLACK (BK) SILVER (SL)
		T3-TBARCLIP	WHITE (WH) BLACK (BK) SILVER (SL)			T3-MOUNT	WHITE (WH) BLACK (BK) SILVER (SL)

ACCESSORIES FOR RECESSED TRACK ONLY

		T3R-FEED-TOP	WHITE (WH) BLACK (BK) SILVER (SL)			T3R-L-TOP	WHITE (WH) BLACK (BK) SILVER (SL)
		T3R-INLINE-TOP	WHITE (WH) BLACK (BK) SILVER (SL)			T3R-T-TOP	WHITE (WH) BLACK (BK) SILVER (SL)
		T3R-X-TOP	WHITE (WH) BLACK (BK) SILVER (SL)				



Measurements in Millimeters. To Convert to Inches Divide by 25.4



TRACK₃ Three Circuit Track

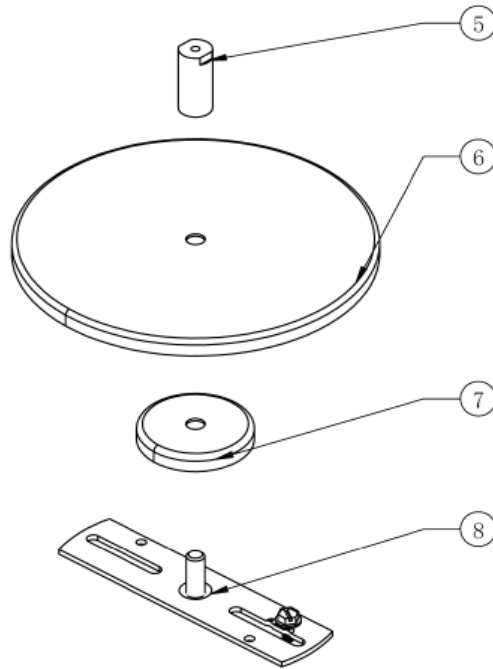
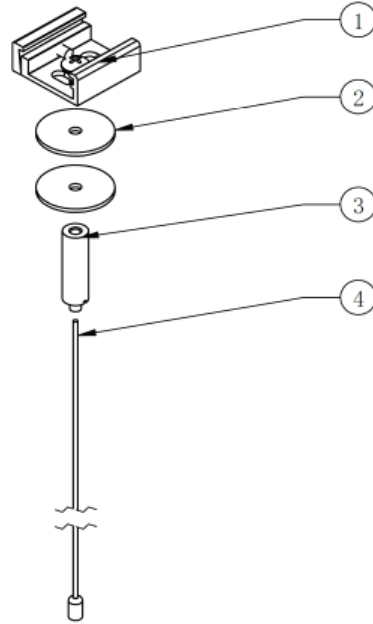
UNIVERSAL CABLE SUSPENSION KIT

Ordering Information:

TRK-MTG-KIT

Each Kit Includes the following:

- #1 - Track mounting clip for two and three Circuit Track Systems. (1) Black and (1) White
- #2 - Two washers for use when suspending the track from the L, T and X connectors. One washer for the inside and outside of the connector. When suspending via track sections the washers can be disregarded.
- #3 - Cable barrel to secure to mounting screw provided or use threaded attachment by others.
- #4 - Aircraft cable, 16' / 5m length
- #5 - Cable mount to canopy or stud by others.
- #6 - Canopy cover for 4" octagon surface or recessed box. Both Black and White versions included.
- #7 - Small Canopy cover for ACT and non junction box supports. Both Black and White versions included.
- #8 - Junction box mounting bar for octagon box. Center threaded stud for connection to #5



E317594