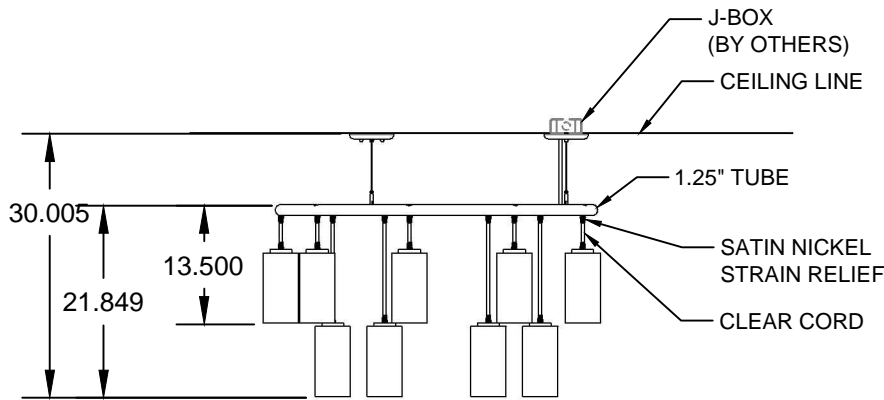
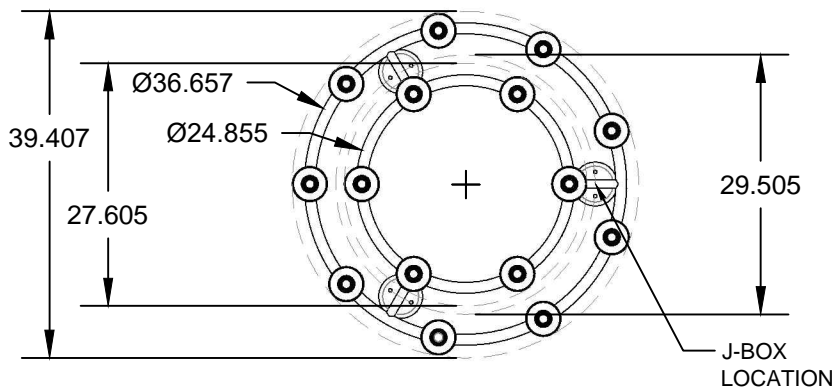
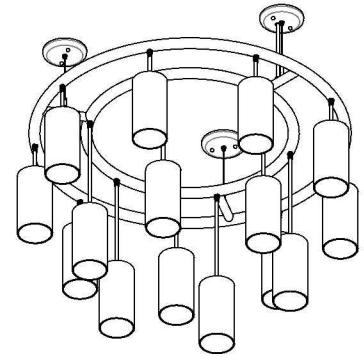


PROJECT INFORMATION:

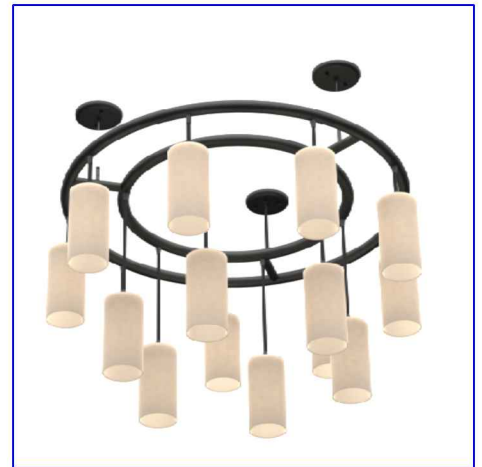
FIXTURE TYPE: IF.3
 QUANTITY: 2
 SPECIFIER: XXX
 REPRESENTATIVE: XXX
 PROJECT MANAGER: DAN
 PROJECT NUMBER: XXXX



FRONT VIEW



BOTTOM VIEW



SCALE = N.T.S.

Alchemie reserves the rights to make minor changes to this drawing as required by production constraints.

FIXTURE SPECIFICATIONS:

LAMPS NOT INCLUDED

SCHEDULED TO USE: (15) 9 WATT (60W EQUIVALENT), 2700K, MED. BASE A19
 VOLTAGE: 120V
 BALLAST: N/A
 LABELING: MEETS U.L. STANDARD 1598, DAMP LOCATION
 DIFFUSER: CREAM ACRYLIC
 FINISH: PAINTED SILVER FINISH



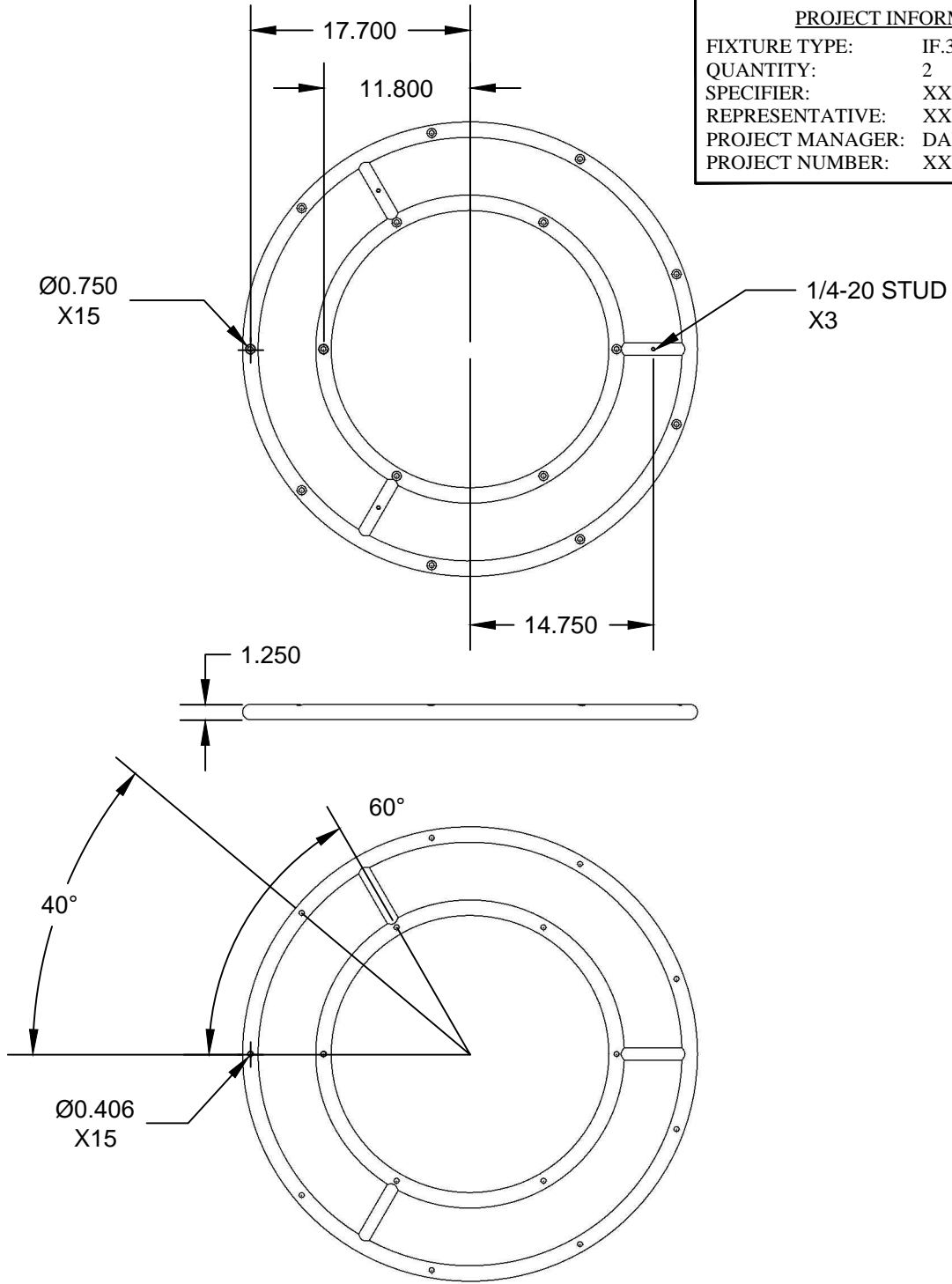
ALCHEMIE LIGHTING TEL: (626) 484-4631

DRAWN DATE: 09/18/2017
 REV. DATE: 10/10/2017

© Copyright Alchemie Lighting

PROJECT INFORMATION:

FIXTURE TYPE: IF.3
 QUANTITY: 2
 SPECIFIER: XXX
 REPRESENTATIVE: XXX
 PROJECT MANAGER: DAN
 PROJECT NUMBER: XXXX



SCALE = N.T.S.

Alchemie reserves the rights to make minor changes to this drawing as required by production constraints.

FIXTURE SPECIFICATIONS:

LAMPS NOT INCLUDED

SCHEDULED TO USE: (15) 9 WATT (60W EQUIVALENT), 2700K, MED. BASE A19
 VOLTAGE: 120V
 BALLAST: N/A
 LABELING: MEETS U.L. STANDARD 1598, DAMP LOCATION
 DIFFUSER: CREAM ACRYLIC
 FINISH: PAINTED SILVER FINISH



ALCHEMIE LIGHTING TEL: (626) 484-4631

DRAWN DATE: 09/18/2017
 REV. DATE: 10/10/2017